



# SCICOM Electronics Co.LTD

Part Number: R1N1CH-1108

Description: 10GBase-T RJ45 1X1 Tab-Down

Designed to Support 10GBASE-T Transceivers



## Features and Benefits:

- Compliant with IEEE 802.3 standard
- RoHS compliant
- Qualified with top 10Gig PHY Manufacturers
- RoHS peak wave solder temperature rating 260°C
- Low profile package for PCI Express
- Fine-tune magnetics to specific PHY vendors

Electrical Specifications @ 25°C - Operating Temperature 0°C to 70°C										
Channel Option	LEDs (L/R)	Insertion Loss (dB or better)		Return Loss (dB or better)		Common to Differential Mode Rejection (dB or better)		Cross Talk (dB or better)		Hipot (VRMS MIN)
		100 KHz	1-400 MHz	1-40 MHz	40-500 MHz	1-250 MHz	250-500 MHz	1-100 MHz	100-500 MHz	
5	G-Y/G	3.0	-2.0dB MAX (-1.4 dB TYP)	-22	-22 +18.27*LOG(f/100)	-30	-22	-30	-20	1500

Durability Testing Rating			
Mating Force(MAX)	Unmating Force(MAX)	Durability	Plug to Jack Retention(MIN)
5 Ibs./2.268 kgs.	5 Ibs./2.268 kgs	750 Insertions	20lbs./9.072 kgs.

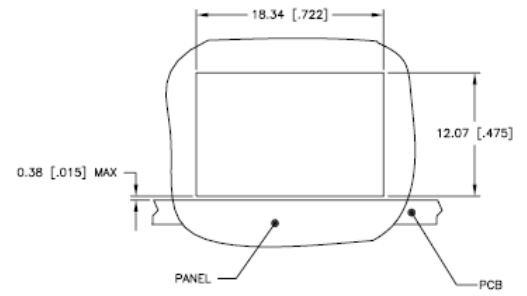
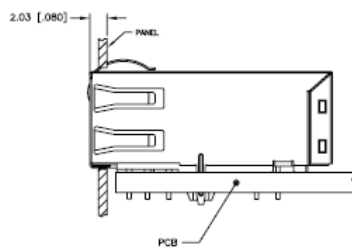
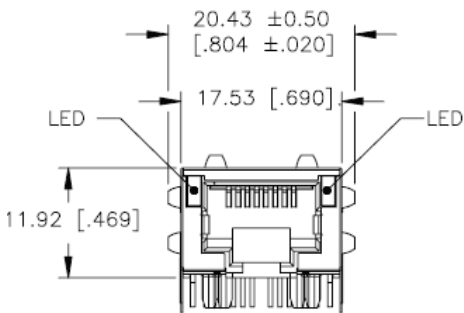
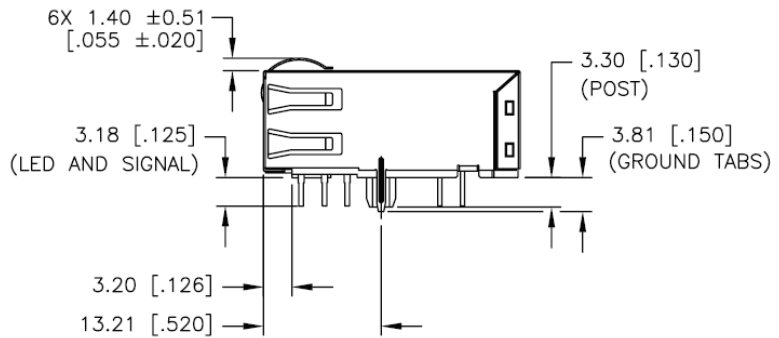
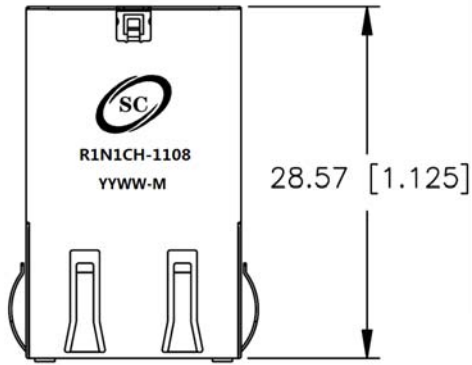
Material Specification							
Shield		Contact			Housing		MSL Rating
Material	Finish	Material	Plating Area	Solder Area	Material	Specification	
Brass	50-200μ inches thick nickel over brass	Phosphor Bronze	50μ inches gold over 30-50μ inches nickel	200-500μ inches tin over 50-100μ inches nickel	Thermoplastic	UL 94 V-0	1

### Notes:

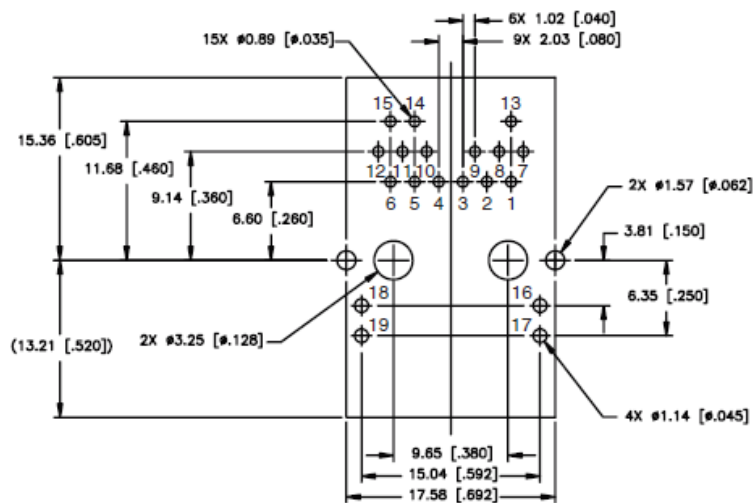
1. Connector dimensions comply with FCC dimension requirements.
2. MSL - Moisture Sensitivity Level
3. All parts are tin matte finish over nickel.



## Mechanicals



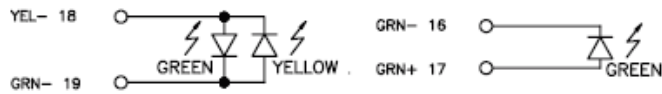
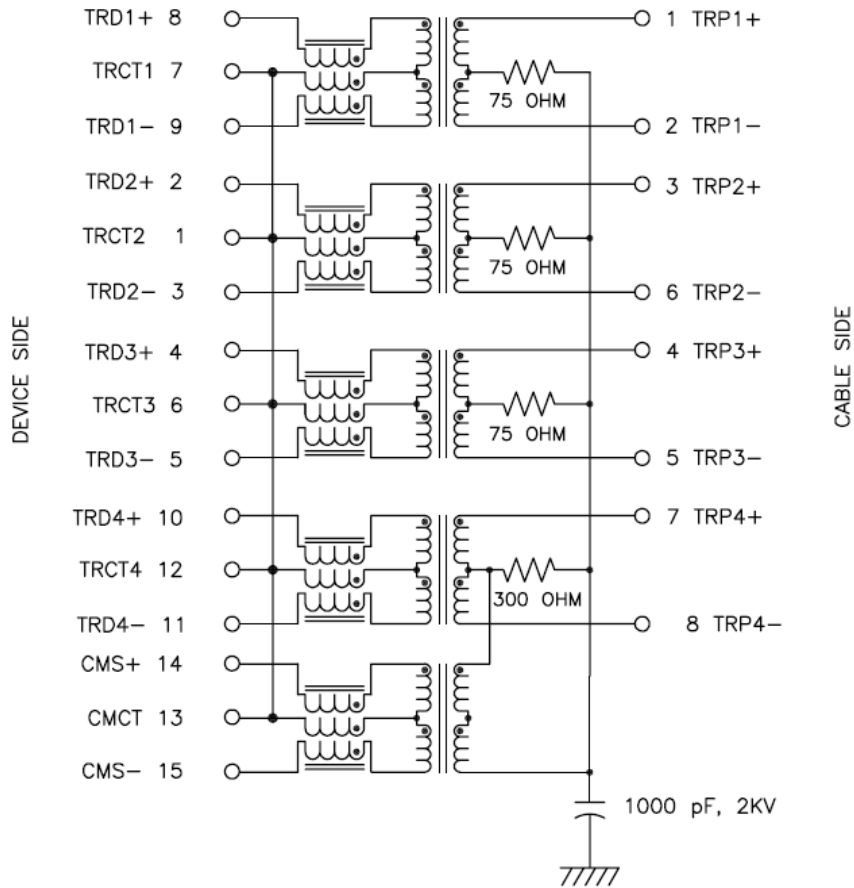
SUGGESTED PANEL CUTOUT



SUGGESTED FOOTPRINT (SIDE SHOWN)  
 THE FOLLOWING TOLERANCES APPLY:  
 X.XX [.XXX] = ±.008 [±.003]



Schematics



EMMITTED COLOR	GREEN	YELLOW
WAVELENGTH (nm)	565	588
POWER DISSIPATION (Pd)	105 mW MAX	100 mW MAX
DC FORWARD CURRENT	25 mA MAX	30 mA MAX
FORWARD VOLTAGE (VF) @20mA	2.2 V TYP	2.1 V TYP

BICOLOR

NOTE: PER VENDOR'S SPECIFICATION

LED SPECIFICATION

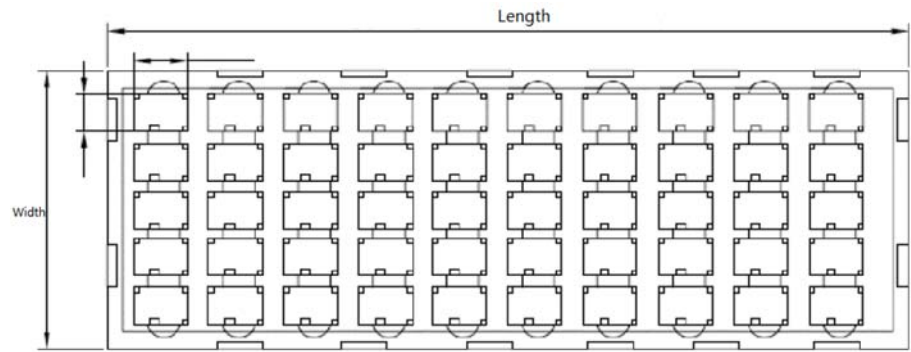


# SCICOM Electronics Co.LTD

## Package

50pcs/tray, 400pcs/carton

Tray



Carton

