



SCICOM Electronics Co.LTD

Part Number: GX245120S

Description: MDL,SIN,1GD,1:1,SMT,TU, NPB

APPLICATION- ETHERNET TRANSFORMER/CHOKE



Features and Benefits:

1. RoHS Compliant
2. Header: Thermoset Plastics with Flammability Rating UL 94V-0 or Better
3. Compliance to J-STD
 - A. J-STD-002: Solderability at 245°C Reflow Profile
 - B. J-STD-020: Level 1, No Moisture Sensitive
 - C. J-STD-075: R7, 245°C Maximum Through Reflow Solder

Electrical Specifications @ 25°C - Operating Temperature -40°C to +85°C

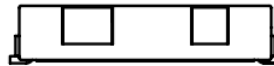
Turn Ratio	Polarity	Insertion Loss		Return Loss (Z OUT-100 OHM +/-15%)		Inductance(OCL) (Media Side, -40°C - +85°C)
		100 KHz	1-125 MHz	0.1-40 MHz	40-100 MHz	
1:1 +/-2%	Per Schematic	-1.2 dB Max	-0.2-0.002*f ^{1.4} dB MAX	-16dB MIN	-10 +20*LOG(f/80MHz) dB MIN	350 uH MIN (Measured at 100KHz, 100 mVRMS and with 8 mA DC BIAS)

Electrical Specifications @ 25°C - Operating Temperature -40°C to +85°C

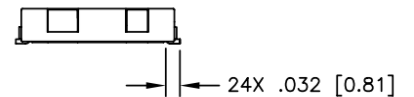
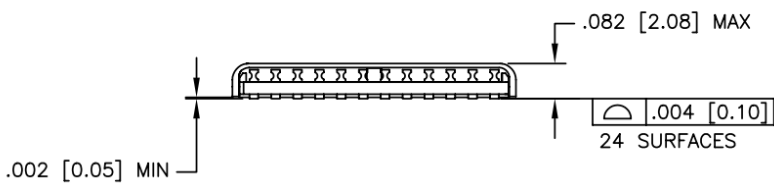
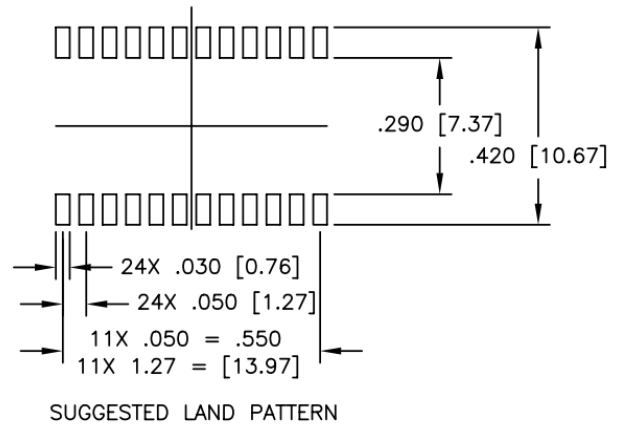
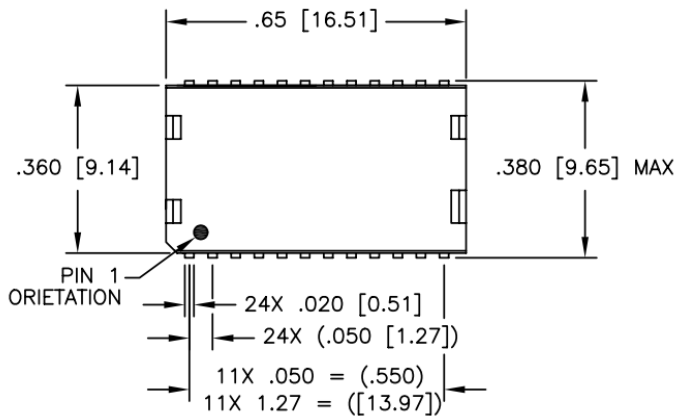
Cross Talk Adjacent Channels		Common Mode Rejection Ratio		DC Resistance 1/2 Winding	DC Resistance Imbalance	Isolation
1MHz	10-100 MHz	2MHz	30-200 MHz	0.65 OHMS Max	+/-0.65 OHM Max (Center Tap Symmetry)	Input-Output
-50 dB MIN	-55+22*LOG ₁₀ (f/10) dB MIN	-42 dB MIN	-15+20*LOG ₁₀ (f/200) dB MIN			1500 VRMS @60 Seconds



SCICOM Electronics Co.LTD



Mechanicals

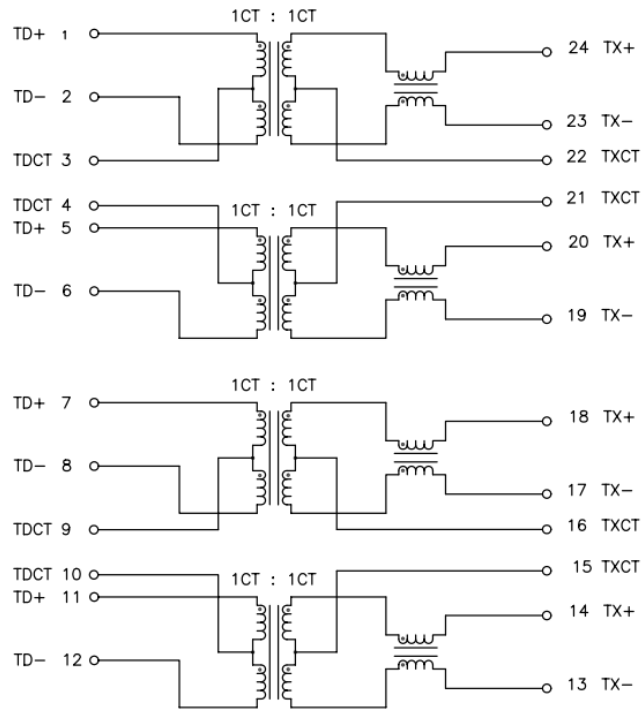


DIMENSIONS ARE IN INCHES [MILLIMETERS] WITH THE FOLLOWING TOLERANCES: [MILLIMETERS] ARE FOR REFERENCE ONLY.
 .XX= ±.01 [±0.25]
 .XXX= ±.005 [±0.13]



SCICOM Electronics Co.LTD

Schematics



Package

